



SANO puts people first!

**LIFTKAR<sup>®</sup> PTR**  
powered tracked stairclimber

**SANO**   
makes life easier.

# LIFTKAR PTR

POWERED TRACKED STAIRCLIMBER FOR TRANSPORTING PEOPLE

SAFE ON THE STAIRS. EASY TO USE.

The LIFTKAR PTR tracked stairclimber is a unit that has been developed for transport on straight steps. Using the tracked stairclimber increases freedom of movement for people with walking difficulties. At the same time, it is ergonomically designed to relieve stress to the back of the person operating the tracked stairclimber.



CONTROLS  
HANDLE UNIT

HANDLE UNIT

CONTROLS  
BASE UNIT

EMERGENCY STOP

BACKREST CLAMP

LAP BELT

POWER CONNECTOR CORD

BASE UNIT



Standard equipment

# LIFTKAR PTR

SAFETY, ERGONOMICS, QUALITY OF LIFE

The extremely lightweight LIFTKAR PTR tracked stairclimber is impressively easy to use, has three speeds, acoustic and visual inclination warning as well as a range of up to 1000 steps on a single battery charge. It's so easy - simply release two levers to dismantle the LIFTKAR PTR into two easily portable parts. The LIFTKAR PTR ensures safe handling on the stairs. There are two versions of the LIFTKAR PTR available for two maximum loads:

## PTR 130/160



PTR with headrest and mini ramps (available as accessories)

### POWERED TRACKED STAIRCLIMBER FOR UNIVERSAL WHEELCHAIRS

The LIFTKAR PTR is the compact basic version that enables universal wheelchairs to be transported up and down stairs conveniently and safely. Available for the following maximum loads (wheelchair and passenger):

LIFTKAR PTR 130 (Art. no. 075 701): for a maximum load of 130 kg

LIFTKAR PTR 160 (Art. no. 075 702): for a maximum load of 160 kg

## PTR-L 130/160



PTR-L with headrest and drive-on ramps (available as an option)

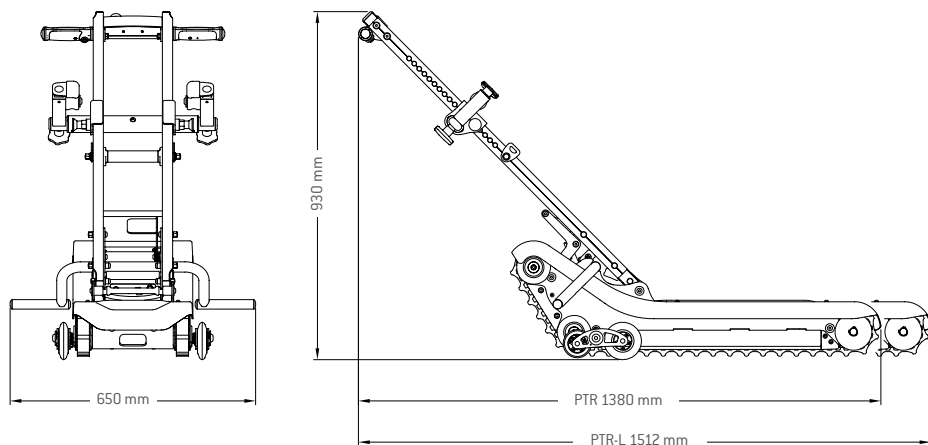
### POWERED TRACKED STAIRCLIMBER FOR LIGHTWEIGHT ELECTRIC WHEELCHAIRS

The LIFTKAR PTR-L is the longer version (+132 mm) of the LIFTKAR PTR tracked stairclimber, which is available as an option with factory-fitted drive-on ramps (Art. no. 975 110) for transporting lightweight electric wheelchairs. Available for the following maximum loads (wheelchair and passenger):

LIFTKAR PTR-L 130 (Art. no. 075 705): for a maximum load of 130 kg

LIFTKAR PTR-L 160 (Art. no. 075 703): for a maximum load of 160 kg

## TECHNICAL DATA



	LIFTKAR PTR	LIFTKAR PTR-L
Load capacity and article numbers for the complete LIFTKAR PTR tracked stairclimber with battery pack and charger unit	PTR 130: 130 kg* Art. no. 075 701  PTR 160: 160 kg* Art. no. 075 702  * Maximum load (Wheelchair and passenger)	PTR-L 130: 130 kg* Art. no. 075 705  PTR-L 160: 160 kg* Art. no. 075 703  * Maximum load (Wheelchair and passenger)
Total weight of tracked stairclimber	38.2 kg	39.4 kg
Weight of handle unit	9.6 kg	
Weight of base unit	28.6 kg	29.8 kg
3 speed settings (per minute)	5.5 m / 6.5 m / 7.5 m	
Maximum inclination	35°	
Height	930 mm	
Width	650 mm	
Overall length of base unit	980 mm	1112 mm
Overall length including handle unit	1380 mm	1512 mm
Landing dimensions (min.)	970 mm x 970 mm	1150 mm x 1150 mm

## 10 UNBEATABLE ADVANTAGES TO CONVINCE YOU

- 01 electronic overload protection
- 02 electronic inclination sensor including speed monitor
- 03 acoustic and visual inclination warning
- 04 microprocessor controlled operating system
- 05 integrated diagnostics system
- 06 LED direction of travel display
- 07 range of up to 1000 steps on a single battery charge
- 08 key switch
- 09 emergency stop
- 10 integrated operating hours counter



# QUALITY OF LIFE IS WHEN YOU HAVE SOLUTIONS DESIGNED ESPECIALLY FOR YOU

Accessories for LIFTKAR PTR stairclimbers are specifically designed to cater for the individual needs and requirements of people with walking difficulties. The quality of the technical solution and design are of the utmost importance.

## LIFTKAR PTR FACTORY-FITTED OPTIONS \*



### Tilting device

Art. no. 975 115



### Drive-on ramps

ideal for LIFTKAR PTR-L  
Art. no. 975 110



### Folding wheelchair retention arm

instead of standard wheelchair retention arm  
Art. no. 975 100



### Grey tracks, fitted

for LIFTKAR PTR, Art. no. 075 087  
for LIFTKAR PTR-L, Art. no. 076 043



### Backrest clamp – adjustable plates

Standard (clamping range: 360 mm - 500 mm)  
Art. no. 975 146

Wide (clamping range: 460 mm - 600 mm)  
Art. no. 975 149

### Backrest clamp

Wide (clamping range: 440 mm - 600 mm)  
Art. no. 975 129

\* Please specify factory-fitted options when ordering LIFTKAR PTR & LIFTKAR PTR-L tracked stairclimbers.

## LIFTKAR PTR ACCESSORIES



**Expansion  
Wheelchair retention arm  
+100 mm**  
Art. no. 975 105



**Headrest**  
Art. no. 075 104



**Headrest with sliding  
elements**  
Art. no. 975 141



**Backrest cushion**  
Art. no. 975 104



**Add-on ramps**  
especially for transport chairs  
Art. no. 975 103



**Mini ramps**  
up to track width 710 mm  
Art. no. 975 143  
  
up to track width 740 mm  
Art. no. 975 165



**Belt system for  
drive-on ramps**  
Art. no. 975 140



SANO Transportgeraete GmbH  
Am Holzpoldgut 22  
4040 Lichtenberg / Linz  
Austria

Tel. +43 7239 / 510 10  
Fax +43 7239 / 510 10-14  
office@sano.at

[www.sano.at](http://www.sano.at)

SANO Deutschland GmbH  
Geigelsteinstraße 10  
83080 Oberaudorf  
Germany

Tel. +49 8033 / 308 96-0  
Fax +49 8033 / 308 96-17  
info@sano-treppensteiger.de

[www.sano-treppensteiger.de](http://www.sano-treppensteiger.de)

SANO UK Powered Stairclimbers Ltd.  
Bristol Court, Betts Avenue  
Martlesham Heath  
Ipswich, Suffolk / IP5 3RY, England

Tel. +44 1473 / 333 889  
Fax +44 1473 / 333 742  
info@liftkardirect.com

[www.liftkardirect.co.uk](http://www.liftkardirect.co.uk)



**LIFTKAR<sup>®</sup> PTR**  
powered tracked stairclimber

[www.sano-stairclimbers.com](http://www.sano-stairclimbers.com)

**SANO**   
makes life easier.